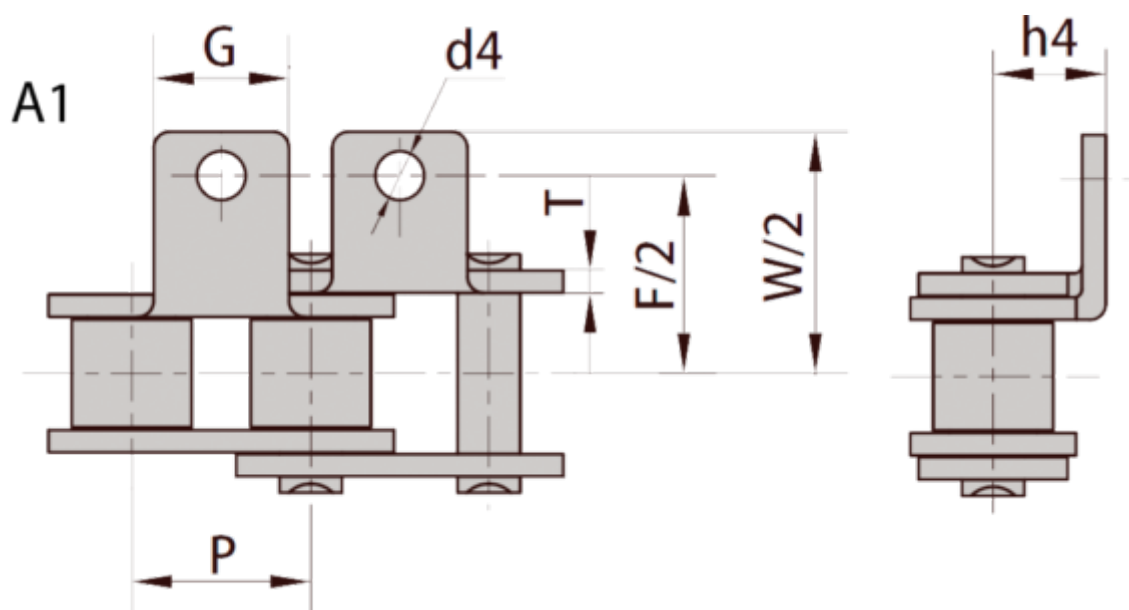


Article number: 6100110061011

Description: 10B1

A1 angled one hole attachment link, spring clip type

Measures



d4 = 5.3

F = 31.75

G = 14.3

h4 = 10.31

P = 15.875

T = 7.70

W = 44.6